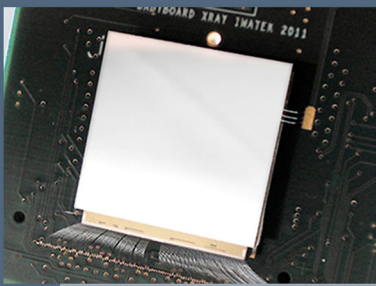


# The XRI Series **XRI-UNO**

## Photon Counting X-Ray Detector with 1x Single Medipix2/Timepix CMOS

- 55µm Pixel Pitch
- 14 x 14 mm<sup>2</sup> Detection Area
- 65K Image Resolution
- 13-bit Dinamic Range
- High DQE/High Contrast
- Fast Adquisition
- Up to 500 fps.
- Variable Energy Threshold
- Several Output Formats



The Medipix2  
Collaboration

The Medipix2/Timepix ASIC is a 65K hybrid pixel detector developed at CERN, and it's sold by X-Ray Imatek under a license from the Medipix2 Collaboration.

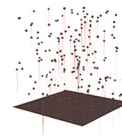
The **XRI-UNO** is an X/Gamma ray photon counting imager based on the CERN **Medipix2/Timepix** ASIC. It features a single chip bonded to **Silicon**, **CdTe** or **GaAs** sensors, and provides a real time video with frame rates up to 500 fps. The **XRI-UNO** is a reliable and affordable device designed to enable users to become familiar with the capabilities of photon counting in a wide range of applications.



Medical  
Imaging



Academic  
& Research



Particle  
Tracking



Security  
& Defense

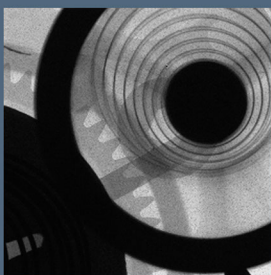
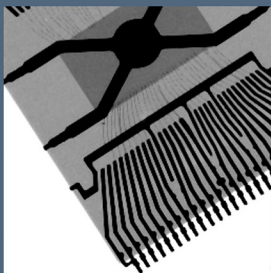


NDT  
Inspection

# XRAY IMATEK

Edifici Eureka - Campus UAB  
Bellaterra 08193 BARCELONA  
T. +34 935 868 961  
contact@xray-imatek.com  
www.xray-imatek.com

## Sample Pics



## Technical Specifications

Pixel Size	55 $\mu$ m
Sensitive Area	14,1 x 14,1 mm. <sup>2</sup>
Image Resolution:	256 x 256 px (65K)
Detector	A-Class Medipix2/Timepix CMOS
IDynamic Range	13-bit depth.
Frame Rate:	Up to 500 fps
Pixel Op. Modes	3 (Medipix, Timepix, Time-Over-Threshold)

Sensor	Silicon	CdTe	GaAs
Thickness Available	300 $\mu$ m/1mm	500 $\mu$ m/1mm	500 $\mu$ m/1mm
Energy Range*	4KeV-25KeV	40KeV-120KeV	20KeV-90KeV
Quantum Efficiency	60%@15KeV (300 $\mu$ m)	85%@60KeV (500 $\mu$ m)	40%@60KeV (500 $\mu$ m)

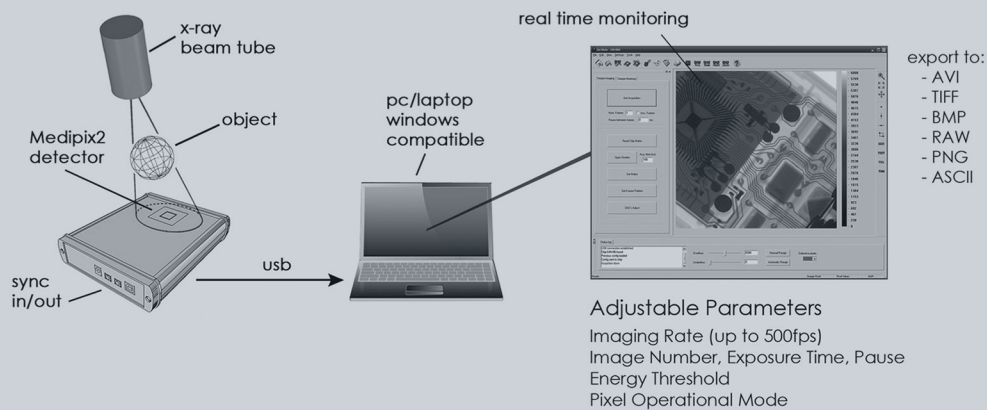
Interface:	USB 2.0
Sync In Port:	TTL (0-3,3V) Screw Connector
Sync Out Port:	Open Collector (5-24V) Screw Connector

Driver Compatibility	Windows XP/7, Linux
API Library	Available
Software	XRI Suite
Output formats:	AVI, TIFF, BMP, Raw, PNG, ASCII..

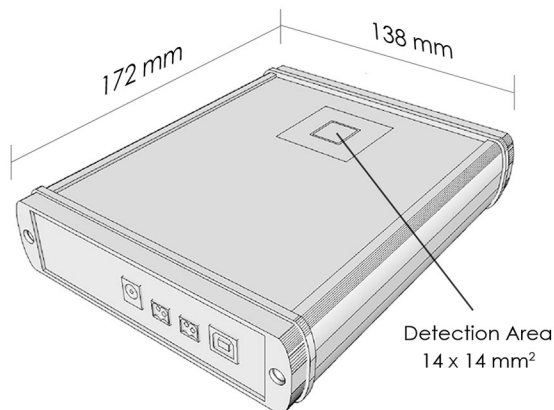
\*recommended

## Common Applications

- Particle Physics.
- Non Destructive Testing (NDT)
- Industrial Inspection
- Medical Imaging
- Small Animal Imaging
- mCT
- Radiation Detector
- Astrophysics



## Starter Kit\*



\*Including all the necessary to plug & play.

Official Distributor

**advatech<sup>UK</sup>**

Advatech UK Ltd.  
5 Glebe Avenue, Woodford Green  
Essex, UK IG8 9HB  
Contact: sales@advatech-uk.co.uk  
T: +44(0) 7879 475380