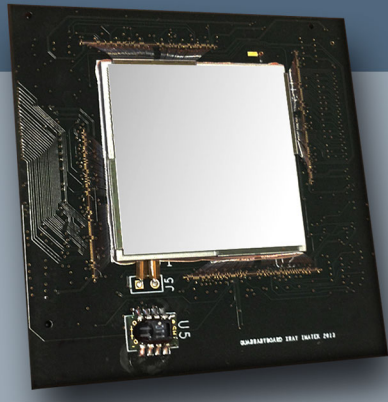


The XRI Series XRI-QUATRO

Photon Counting X-Ray Detector with 4x Medipix2/Timepix CMOS

- 55µm Pixel Pitch
- 28 x 28 mm² Detection Area
- 262K Image Resolution
- 13-bit Dinamic Range
- High DQE/High Contrast
- Fast Adquisition
- Up to 300 fps.
- Variable Energy Threshold
- Several Output Formats



XRI-QUATRO Detector Board



The Medipix2
Collaboration

The Medipix2/Timepix ASIC is a 65K hybrid pixel detector developed at CERN, and it's sold by X-Ray Imatek under a license from the Medipix2 Collaboration.

XRAY IMATEK

Edifici Eureka - Campus UAB
Bellaterra 08193 BARCELONA
T. +34 935 868 961
contact@xray-imatek.com
www.xray-imatek.com

The XRI-QUATRO is a X/Gamma ray photon counting detector featuring a four Medipix2/Timepix CMOS system containing 262.000 pixels in a 28,2 x 28,2 mm² detection area. It is available in three different sensor flavours: Silicon, CdTe or GaAs depending on your needs.

The XRI Series are reliable and affordable devices designed to enable users to become familiar with the capabilities of the Medipix2/Timepix CMOS and are suitable for a wide range of applications.



Medical
Imaging



Life
Sciences



Particle
Tracking



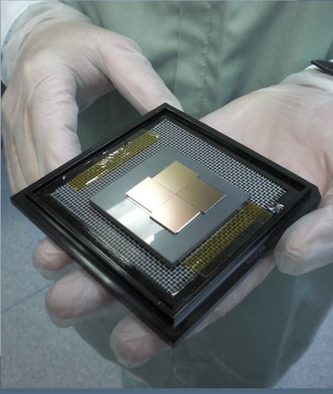
Security
& Defense



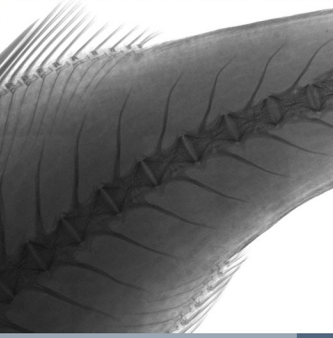
NDT
Inspection



Aerospace



X-Ray Imatek makes the entire flip-chip process at its own facilities in Barcelona.



Fish Tail Detail
Flat field and contrast correction applied.

Technical Specifications

Pixel Size 55 μm
 Sensitive Area 28,2 x 28,2 mm.²
 Image Resolution: 512 x 512 px (262K)
 Detector A-Class Medipix2/Timepix CMOS
 IDynamic Range 13-bit depth.
 Frame Rate: Up to 300 fps
 Pixel Op. Modes 3 (Medipix, Timepix, Time-Over-Threshold)

Sensor	Silicon	CdTe	GaAs
Thickness Available	300 μm /1mm	500 μm /1mm	500 μm /1mm
Energy Range*	4KeV-25KeV	40KeV-120KeV	20KeV-90KeV
Quantum Efficiency	60%@15KeV (300 μm)	85%@60KeV (500 μm)	40%@60KeV (500 μm)

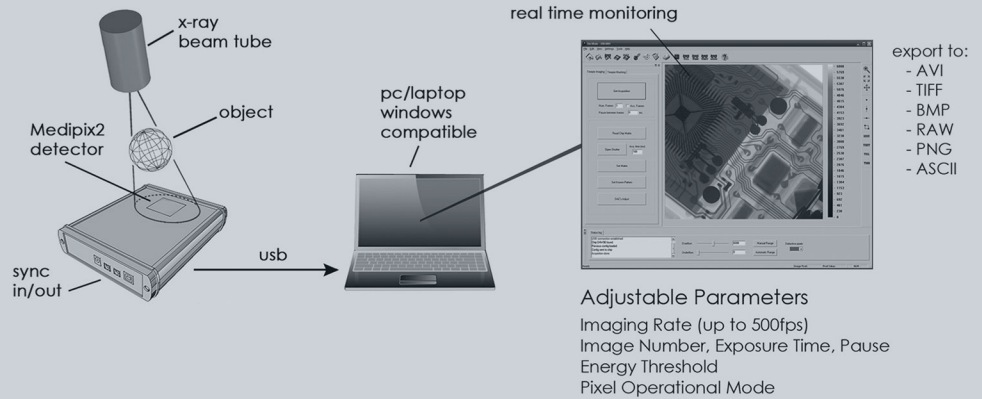
Interface: USB 2.0
 Sync In Port: TTL (0-3,3V) Screw Connector
 Sync Out Port: Open Collector (5-24V) Screw Connector

Driver Compatibility Windows XP/7, Linux
 API Library Available
 Software XRI Suite
 Output formats: AVI, TIFF, BMP, Raw, PNG, ASCII...

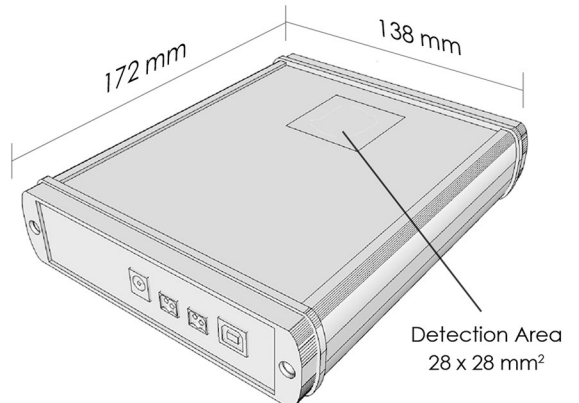
* recommended

Common Applications

- Particle Physics.
- Non Destructive Testing (NDT)
- Industrial Inspection
- Medical Imaging
- Small Animal Imaging
- mCT
- Radiation Detector
- Astrophysics



Starter Kit*



*Including all the necessary to plug & play.

Official Distributor

advaTech^{UK}

Advatech UK Ltd.
 5 Glebe Avenue, Woodford Green
 Essex, UK IG8 9HB
 Contact: sales@advatech-uk.co.uk
 T: +44(0) 7879 475380

X-Ray Imatek, S.L. - Edifici Eureka. Campus de la UAB, Bellaterra, 08193 Barcelona
 T.: +34 93 586 8961 / contact@xray-imatek.com / www.xray-imatek.com